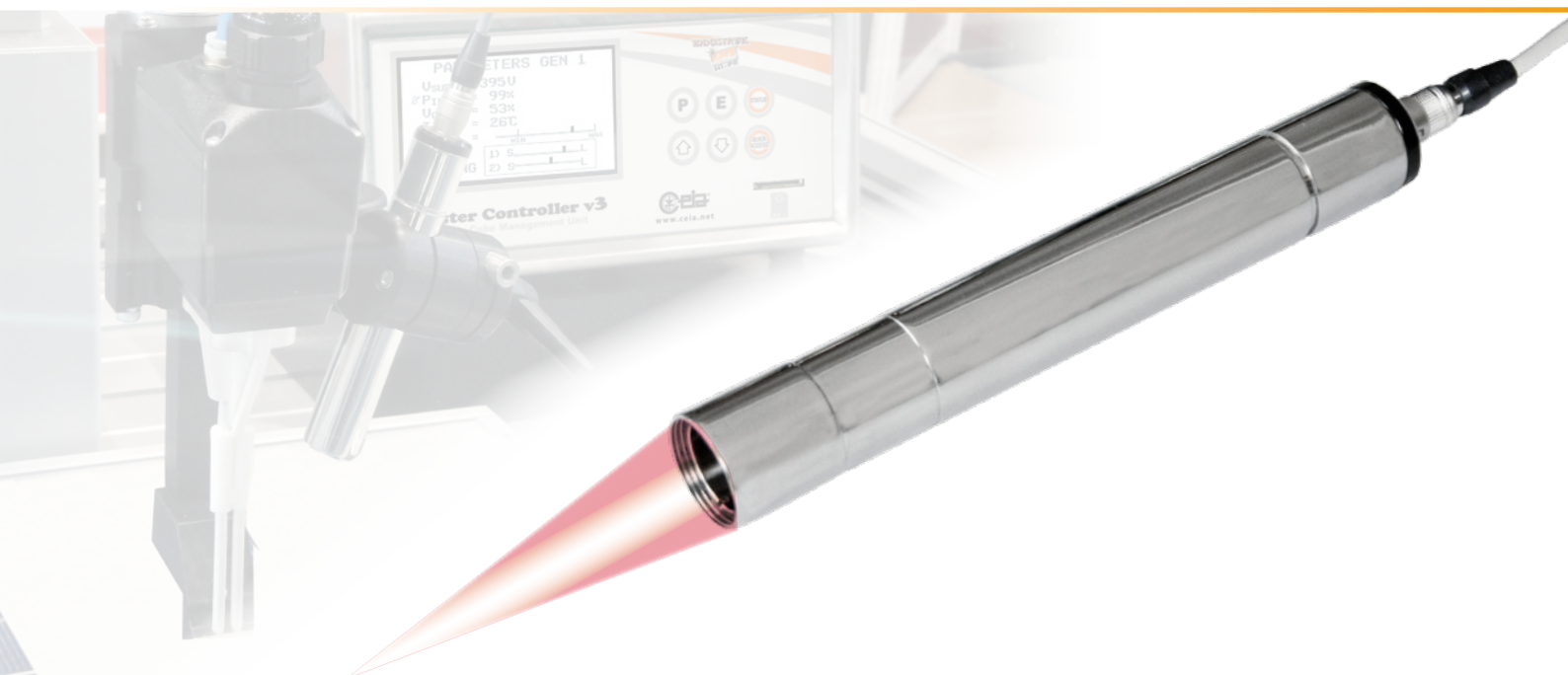


## CEIA SH15/SLE

Compact Pyrometers for Measurement  
of metallic surfaces between 80°C and 2000°C



- Temperature Range from 80°C to 2000°C
- Emissivity adjustable from 0.1 to 1
- High Accuracy
- High-Speed
- Compact design
- Available with different focus distance and aiming spot size
- LED aiming light
- Supplied with Calibration Report traceable to certified International Standards
- AISI 304 Stainless Steel Construction



Scan this code to get more info

[www.ceia.net](http://www.ceia.net)



# CEIA SH15/SLE

COMPACT PYROMETERS FOR MEASUREMENT BETWEEN 80°C AND 2000°C

## SH15/SLE Pyrometers Selection

| MODEL           | TEMPERATURE RANGE |
|-----------------|-------------------|
| SH15/SLE-550-D1 | 80 ÷ 700°C        |
| SH15/SLE-550-D2 | 120 ÷ 900°C       |
| SH15/SLE-550-D3 | 200 ÷ 1600°C      |
| SH15/SLE-550-D4 | 500 ÷ 2000°C      |

## Specifications

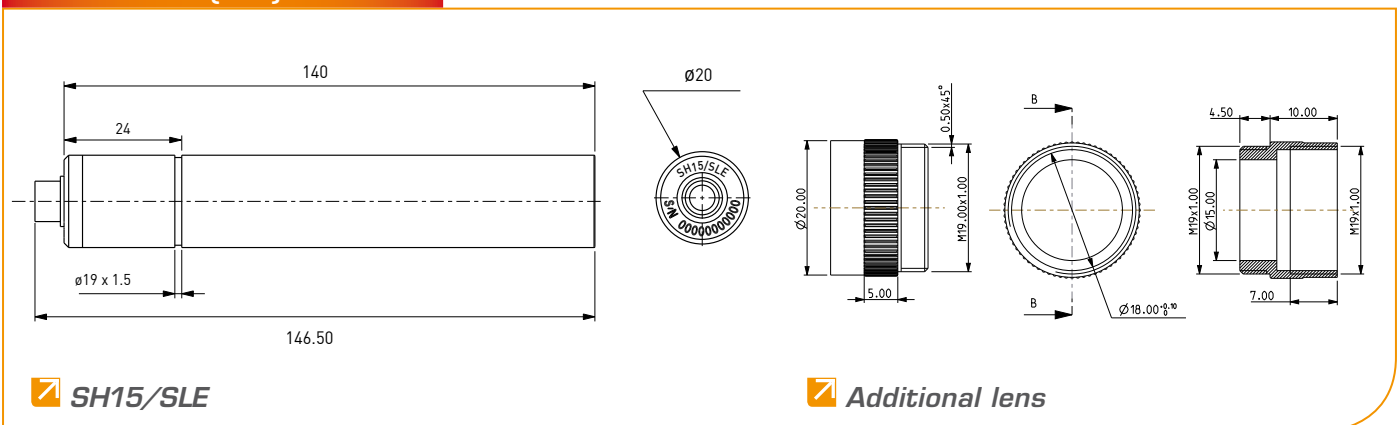
| SH15/SLE                  |  |
|---------------------------|--|
| TEMPERATURE RANGE         | 80 ... 2000°C  |
| TEMPERATURE RESOLUTION    | 0.1 °C (up to 999.9 °C) - 1 °C (above 1000 °C)   |
| EMISSIVITY RANGE          | 0.1-1.0  |
| READING SPOT DIAMETER     | see table  |
| FOCUS DISTANCE            | see table  |
| RESPONSE TIME             | 100 µs Time Constant   |
| MEASUREMENT SPOT AIMING   | High Definition, 620 nm wavelength led beam  |
| INTERNAL DIGITAL CONTROLS | Offset and Range Calibration Parameters  |
|                           | Environmental Temperature Measurement and Correction   |
|                           | Automatic Gain Range Selection   |
| COMPATIBLE CONTROLLERS    | CEIA Power Controller v3, CEIA Master Controller v3, CEIA Net Master Controller  |
| POWER SUPPLY              | +/-15 V - +10/-5 mA, directly supplied by CEIA Controllers   |
| CONNECTION CABLE          | 4.8 mm (diameter) - 1.5 ... 4 m (length)   |
| HOUSING                   | AISI 304 Stainless Steel   |
| WEIGHT                    | 100 g  |
| HOUSING PROTECTION CLASS  | IP65   |
| OPERATING TEMPERATURE     | 0 °C to + 65 °C  |
| STORAGE TEMPERATURE       | - 25 °C to + 70 °C   |
| CONFORMITY                | Complies with international standards currently applicable for Electrical Safety and Electromagnetic Compatibility (EMC) |

## TYPICAL APPLICATIONS

- ANNEALING
- BONDING
- BRAZING
- CAP SEALING
- CURING
- FORGING
- HARDENING
- HOT FORMING
- LOCALIZED HEATING
- MELTING
- METAL GLASS SEALING
- NORMALIZING
- PREHEATING
- SINTERING
- SHRINK FITTING
- TEMPERING
- TIN SOLDERING

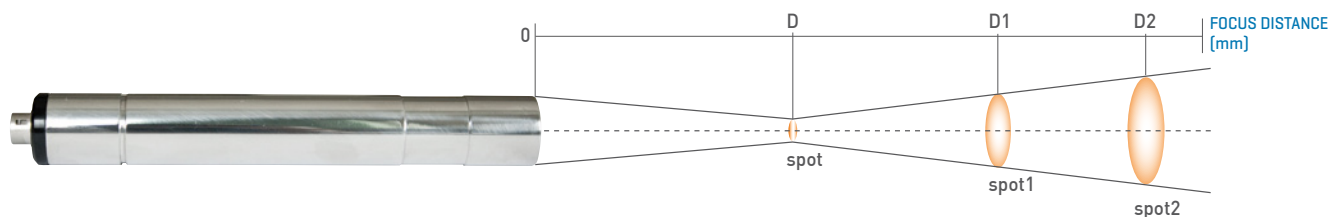


## DIMENSIONS [mm]





## Model Configuration and Optics Data



| MODEL                             | Close-up lens | D distance (mm) | Spot diameter (mm) | D1 distance 1 (mm) | Spot 1 diameter (mm) | D2 distance 2 (mm) | Spot 2 diameter (mm) |
|-----------------------------------|---------------|-----------------|--------------------|--------------------|----------------------|--------------------|----------------------|
| SH15/SLE-550-D1<br>80 ... 700°C   | Included      | 550             | 12.5               | 1000               | 36                   | 2000               | 86                   |
|                                   | CL240/SH15    | 240             | 4.5                | 500                | 24                   | 1000               | 63                   |
|                                   | CL120/SH15    | 120             | 2.5                | 250                | 19                   | 500                | 52                   |
|                                   | CL60/SH15     | 60              | 0.5                | 150                | 18.5                 | 300                | 51                   |
| SH15/SLE-550-D2<br>120 ... 900°C  | Included      | 550             | 4.5                | 1000               | 21                   | 2000               | 57                   |
|                                   | CL240/SH15    | 240             | 1.5                | 500                | 18                   | 1000               | 51                   |
|                                   | CL120/SH15    | 120             | 1                  | 250                | 17                   | 500                | 46                   |
|                                   | CL60/SH15     | 60              | < 0.4              | 150                | 19                   | 300                | 50                   |
| SH15/SLE-550-D3<br>200 ... 1600°C | Included      | 550             | 2                  | 1000               | 16.5                 | 2000               | 47                   |
|                                   | CL240/SH15    | 240             | 0.6                | 500                | 16                   | 1000               | 47                   |
|                                   | CL120/SH15    | 120             | < 0.4              | 250                | 15                   | 500                | 44                   |
|                                   | CL60/SH15     | 60              | < 0.4              | 150                | 18                   | 300                | 49                   |
| SH15/SLE-550-D4<br>500 ... 2000°C | Included      | 550             | 2                  | 1000               | 16.5                 | 2000               | 47                   |
|                                   | CL240/SH15    | 240             | 0.6                | 500                | 16                   | 1000               | 47                   |
|                                   | CL120/SH15    | 120             | < 0.4              | 250                | 15                   | 500                | 44                   |
|                                   | CL60/SH15     | 60              | < 0.4              | 150                | 18                   | 300                | 49                   |

## ACCESSORIES

- Cooling jacket unit with integrated Air Purge  
Cod. #: SLE-PURGE-COOL



- Close-up lens SH15-Focus: 240 mm  
Cod. #: CL240/SH15



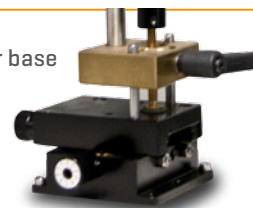
- Close-up lens SH15-Focus: 120 mm  
Cod. #: CL120/SH15



- Close-up lens SH15-Focus: 60 mm  
Cod. #: CL60/SH15



- ES3M micrometric optical sensor base  
Cod. #: 23497



- 90° view Mirror System  
Cod. #: SLE-90D-BD



- Air Purge Unit  
Cod. #: SLE-PURGE



- Connection Cable: 4.8 mm [diameter] - 1.5 ... 4 m [length] Cod. #: 49439

- SH23 optical sensor base  
Cod. #: 21871

# CEIA SH15/SLE

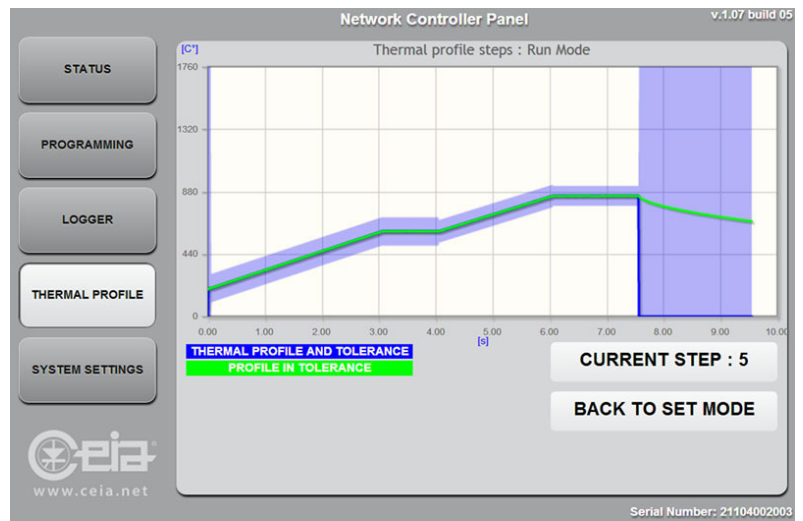
COMPACT PYROMETERS FOR MEASUREMENT BETWEEN 80°C AND 2000°C

## Thermal Profile Management and Monitoring [optional]

The Thermal Profile System allows programming, Quality certification and traceability of each thermal cycle

### Thermal Profile Quality Control

- Up to 20 Programmable Temperature and Time Segments per Process
- Up to 100 different storable processes
- Maximum Power Output Programmable for Each Individual Segment
- Temperature Tolerance Window Programmable for Each Individual Segment
- Out-of Tolerance and End-of-Cycle Outputs for Each Process



Real-time Thermal Profile screen

## Related equipment

Along with the CEIA optical temperature sensors [SH15/SLE series], the CEIA Controllers allow the implementation of efficient induction soldering systems and achievement of completely repeatable, economical heating processes and finished products

- Master Controller v3 > Integrated Controller of Heating and Soldering Cycles
- Power Controller v3 > Integrated Controller of Heating Cycles
- Net Master Controller > Power Cube Generators Network Controller



COSTRUZIONI ELETTRONICHE INDUSTRIALI AUTOMATISMI

Zona Ind.le 54/G, 52041 Vicinaggio - Arezzo (ITALY)

Tel. +39 0575-4181 Fax +39 0575-418287

E-mail: powercube@ceia-spa.com

DP018K0005v1000UK-63947